

Sunea Screen io

Wired

RS485

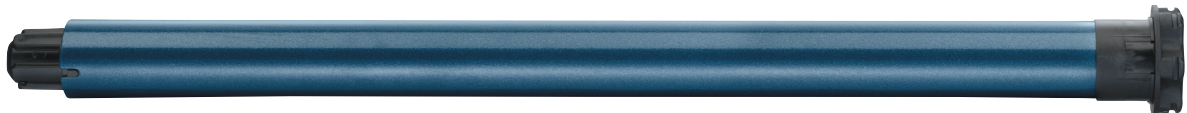
Dry contact

RTS

io

SOLUTIONS FOR COMMERCIAL BUILDINGS

The first universal io motor to motorize any vertical screen application.



Applications



external
vertical
screens

- Suitable for tubes diameter 50 mm or more
- For vertical screen with or without box and Zip applications
- Can be used for windows up to 15 m²

Main characteristics

- > High speed motor
- > Electronic stop detection
- > Possibility to enable / disable back release after cassette closure
- > Possibility to set the motor on both cassette mode (half automatic setting) or standard mode (manual setting)
- > Available with star head (6 possibilities to orientate the head of the motor) or round head (for reduced dimensions)
- > Compatible with all io sensors and controls

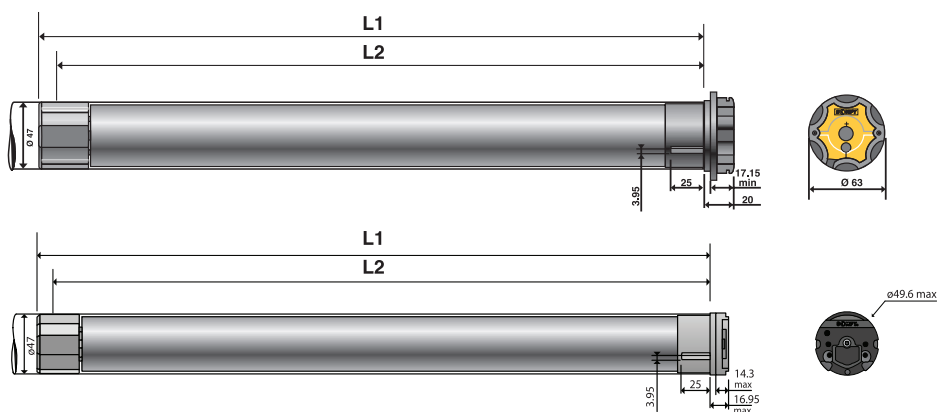
Certifications



somfy®

CHARACTERISTICS

Supply voltage	230 V AC / 50 Hz
Degree of protection	IP 44
Operating temperature	20% -20 to 70°C 80% -10 to 40°C
Protection class	Class I
Limit switch unit	Electronic
Conformity	www.somfy.com/ce



Performance

Nominal voltage	230 V / 50 Hz		
Torque	6 Nm	10 Nm	15 Nm
Speed	32 rpm	32 rpm	32 rpm

Dimensions

L1 (in mm)	655	655	675
L2 (in mm)	640	640	660

Type of cable

3 threads by wire

